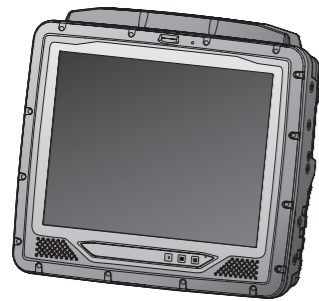


QUICK START GUIDE



Accessory



VM5 (64GB SSD included)

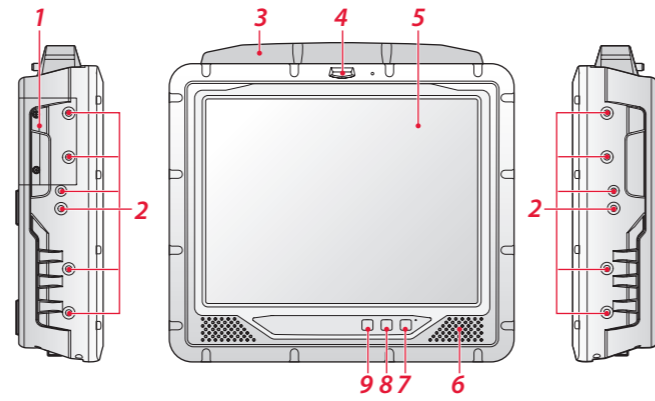


18V and 24V fused bare wire input cable with safety-locking nut



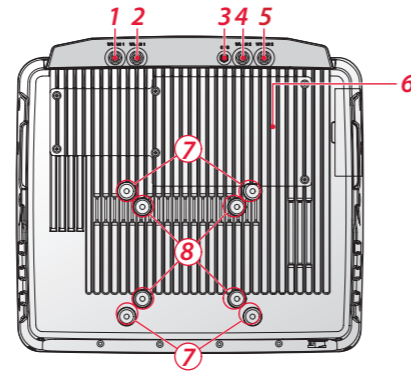
DB9 serial to dual USB cable

Overview



- | | |
|-----------------------|---------------------|
| 1 Communication cover | 6 Speakers |
| 2 Mounting holes | 7 Defrost/defog key |
| 3 Antenna housing | 8 FN key |
| 4 LED indicator | 9 Dimming key |
| 5 Touch screen | |

Rear View



- | | |
|---------|---------------------------|
| 1 WWAN1 | 5 WWAN2 |
| 2 WLAN1 | 6 Service cover |
| 3 GPS | 7 VESA 100 mounting holes |
| 4 WLAN2 | 8 VESA 75 mounting holes |

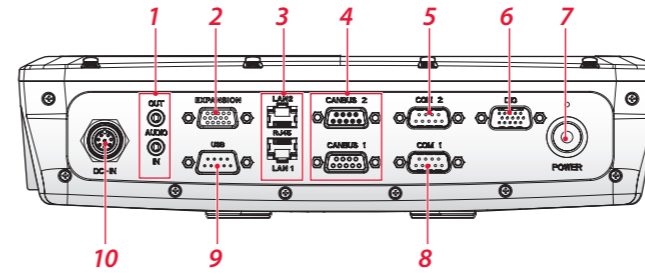
Read all instructions thoroughly before beginning the installation procedure. See the User Manual for further safety and installation information.

Warning: To prevent the damage to the hardware or injury to personnel, always ensure that there are two individuals to help in carrying and supporting the installation/removal process.

The VM5 supports various mounting brackets.

- ④ VESA 100 Mounting Option: M5 thread
- ④ VESA 75 Mounting Option: M5 thread

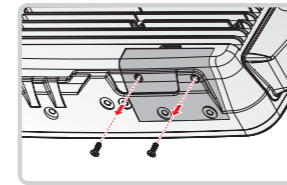
I/O Ports



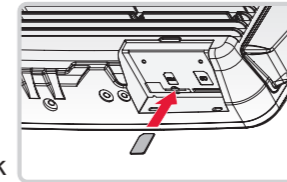
- | | |
|--------------------------|-------------------|
| 1 AUDIO In/Out | 6 DIO |
| 2 Expansion | 7 Power switch |
| 3 LAN x 2 | 8 COM1 for RS-232 |
| 4 CANBUS x 2 | 9 USB |
| 5 COM2 for RS-422/RS-485 | 10 DC In |

SIM Card

- Remove the screws securing the cover.
- Open the cover as shown in the following image.

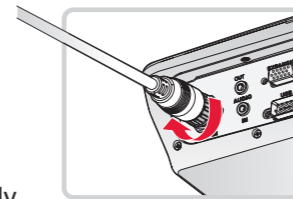
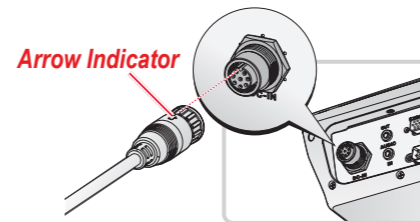


- Take the mini SIM card from its packaging.
- The mini SIM card has a corner missing. Align the SIM card with the slot making sure that the corners match.
- Insert the mini SIM card and press it in until an audible click sounds.



Power On

- Locate the arrow indicator on the top of the power cable. Align the arrow indicator with the indentation on the DC In port.
- Insert the power cord in the port.
- Twist the nut as shown in the following image to lock the power cord to the device.
- Connect the other end of the power cord to the power supply source.
- Secure the cable using wire ties or other applicable materials.
- Press and hold the power switch for 2 seconds.



Basic Safety Guidelines

Intended Use

The VM5 ultra-rugged vehicle mounted computer is intended for industrial environments such as logistics, warehousing, fleet management, manufacturing and the automotive industry.

Unintended Application Use

The device is not designed for use in life-support systems or critical safety/security systems where system malfunction can lead to the direct or indirect endangerment of human life.

Electrical and Environmental Hazards

Only Connect to SELV Circuits

- ④ Do not connect/disconnect any cables during thunderstorms;
- ④ Turn off the device when near a gas station, fuel depot, chemical plant or a place where blasting operations take place.

Environmental

Ambient Temperature

The VM5 operates on the basis of a passive cooling concept and requires fresh airflow in the environment.

- ④ Operating the VM5 with no fresh cooling air may cause overheating and damage to the device.
- ④ The operating environment should not be enclosed to prevent fresh airflow.

Regulatory and Certification

FCC

This equipment has been tested and found to comply with the limits for a Class B digital device, pursuant to Part 15 of the FCC Rules.

European Notice

CE Declaration of Conformity

For the following equipment: tablet with built-in 802.11a/b/g/n WLAN module.

Is herewith confirmed to comply with the requirements set out in the Council Directive on the Approximation of the Laws of the Member States relating to Electromagnetic Compatibility (2004/105/ EC), Low-voltage Directive (2006/95/EC), the procedures given in European Council Directive 1999/5/EC.

Regulatory Statement (R&TTE/WLAN IEEE 802.11b & 802.11g)

European standards dictate maximum radiated transmit power of 100mW EIRP and frequency range 2.400-2.4835GHz; In France, the equipment must be restricted to the 2.4465-2.4835GHz frequency range and must be restricted to indoor use.

Lithium Battery Safety Statement

Caution: Lithium battery inside. Danger of explosion if battery is incorrectly replaced. Replace only with same or equivalent type recommended by battery manufacturer.

THIS PRODUCT CONTAINS LITHIUM-ION BATTERY PACKS. IT MUST BE DISPOSED OF PROPERLY. CONTACT LOCAL ENVIRONMENTAL AGENCIES FOR INFORMATION ON RECYCLING AND DISPOSAL PLANS IN YOUR AREA.